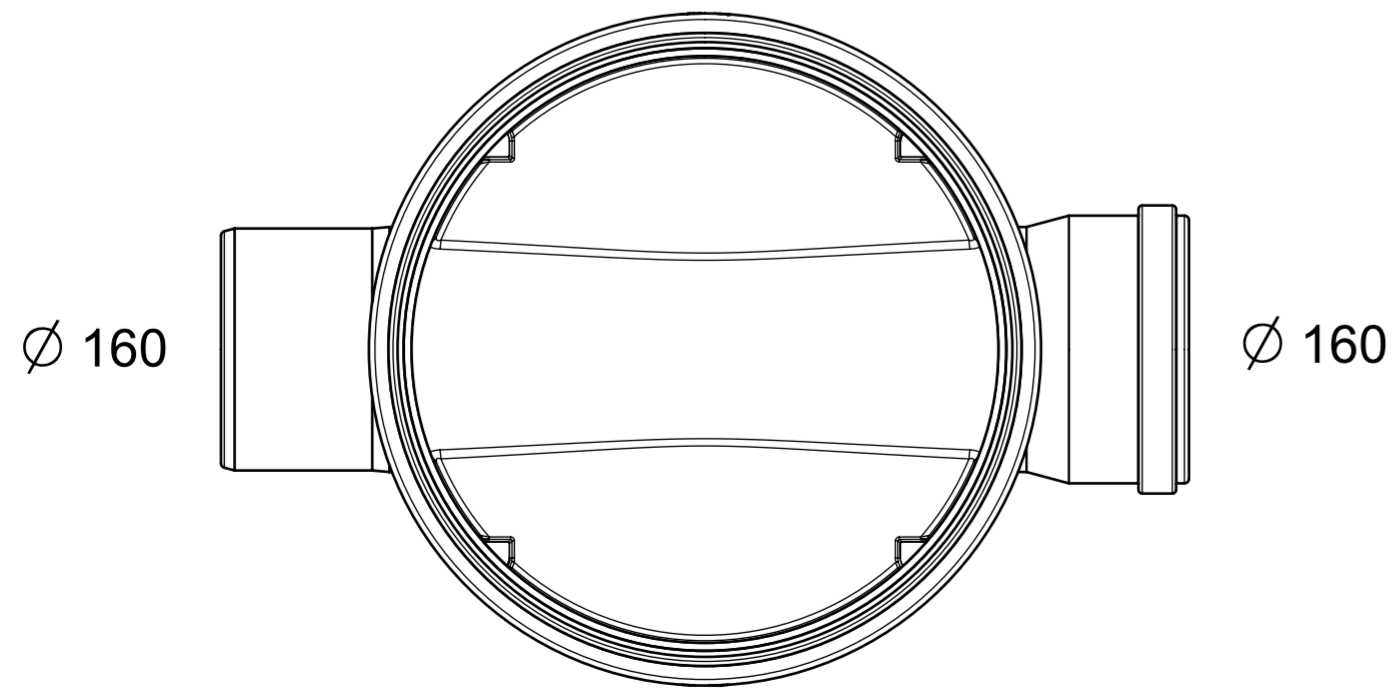
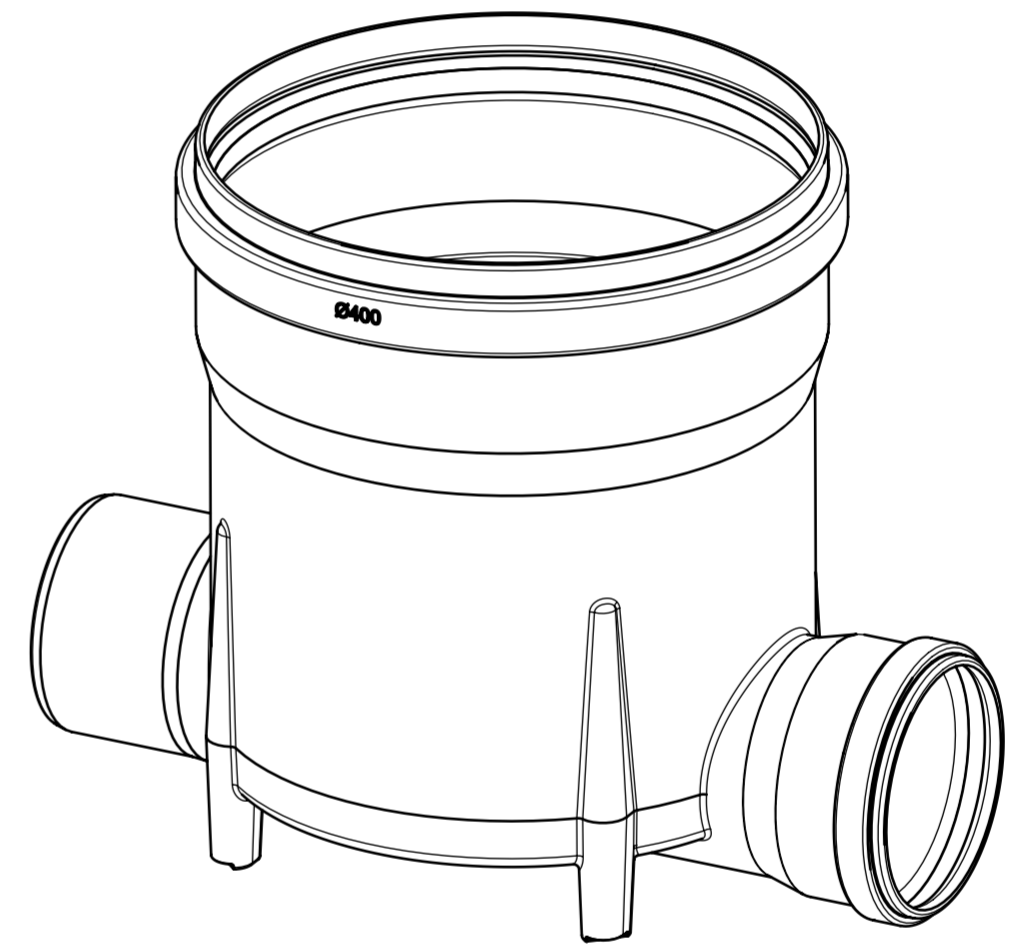
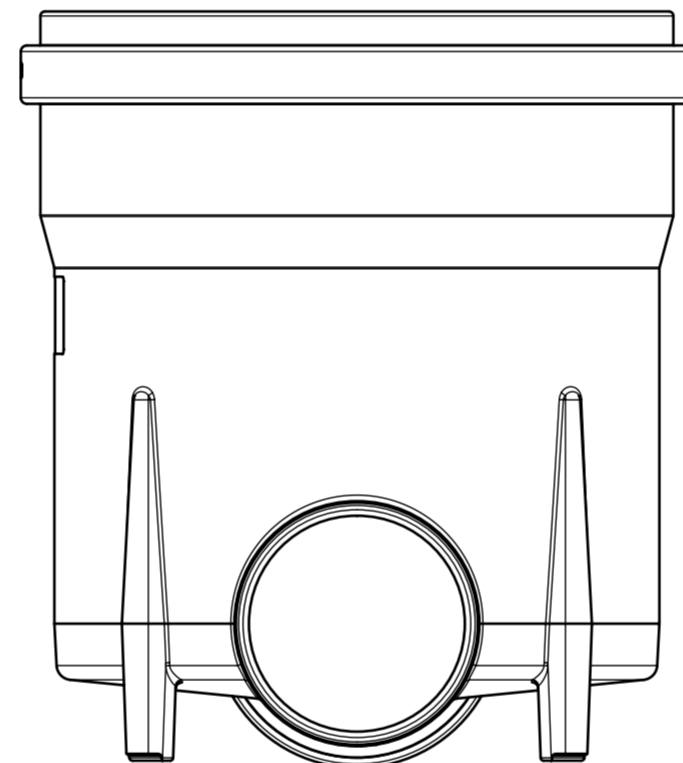
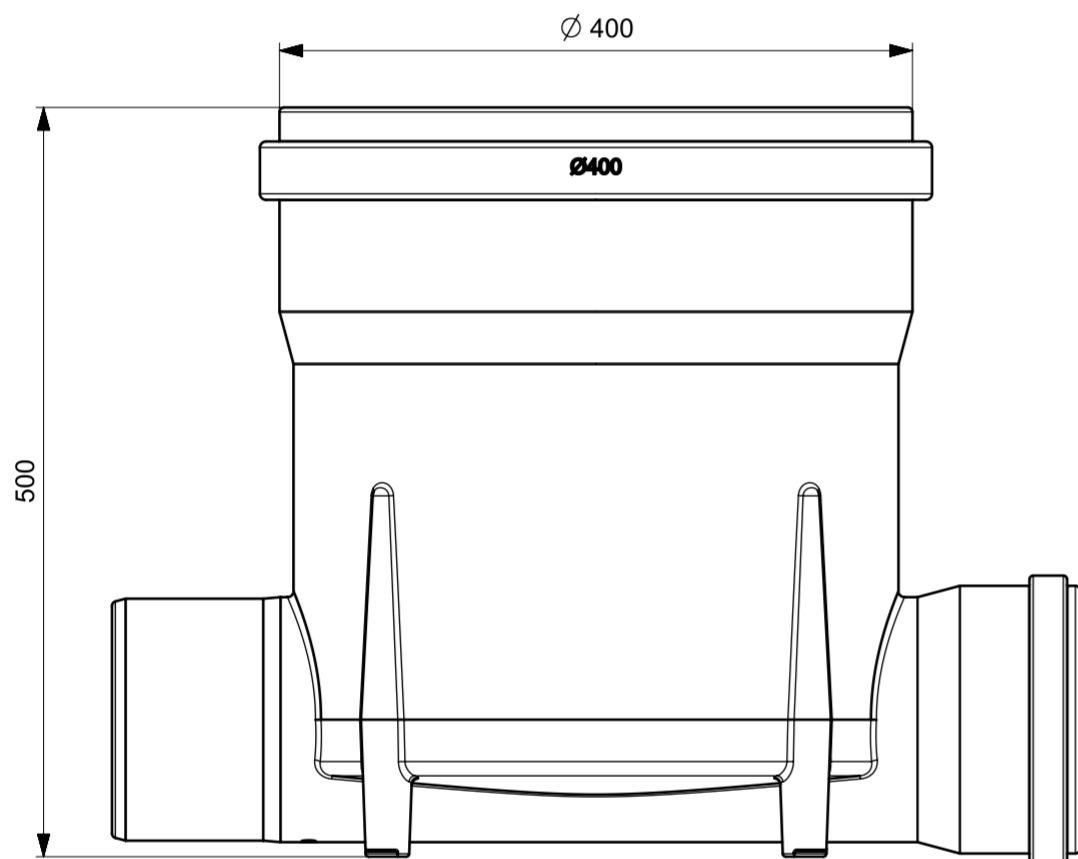
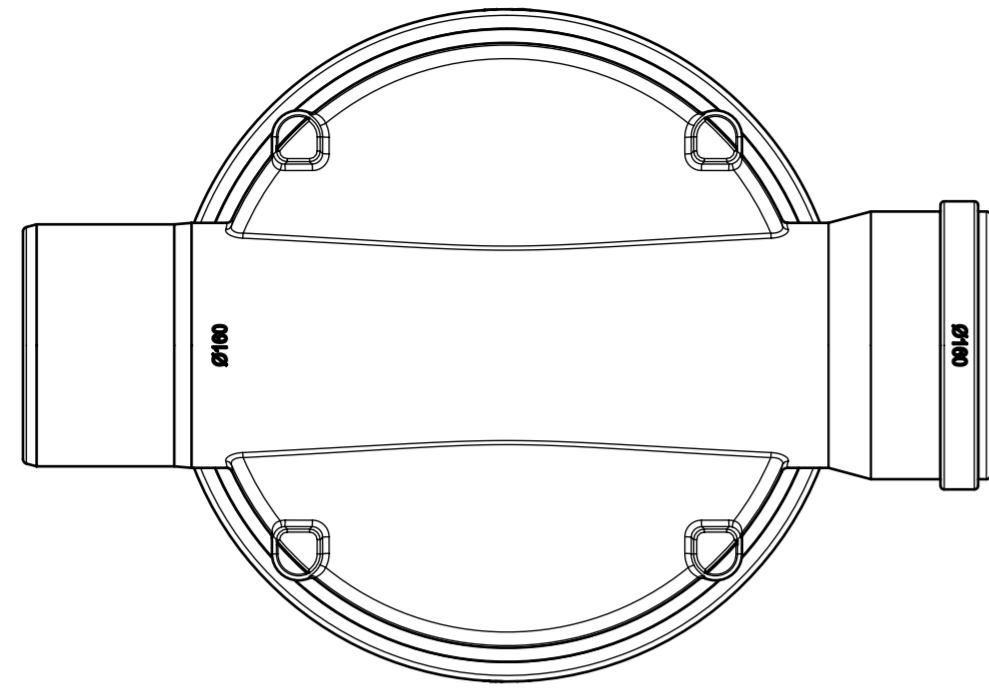


8 7 6 5 4 3 2 1

F
E
D
C
B
A



8 7 6 5 4 3 2 1

| | | | | |
|--|-------------------|----------------------------------|--|--------------|
| Linear tolerances | Surface roughness | Shape and positioning tolerances | Bend tolerances | Finishing |
| Drawing name | | | | Material |
| PE NAZICHTPUT 42 | | | | PE |
| Drawn by | Name | Date | Drawing number PE NAZICHTPUT 42_2D_1.01 | Sheet 1 of 1 |
| Approved by | unit : MM | | | Scale 1 : 5 |
| DS PLASTICS WATERTIGHT SOLUTIONS DS PLASTICS N.V. Mosten 18 9160 Lokeren T: +32 (0)9 280 78 80 | | | All rights reserved. No parts of this concept may be reproduced in any form or by any means without the prior written permission of DS PLASTICS N.V. | |